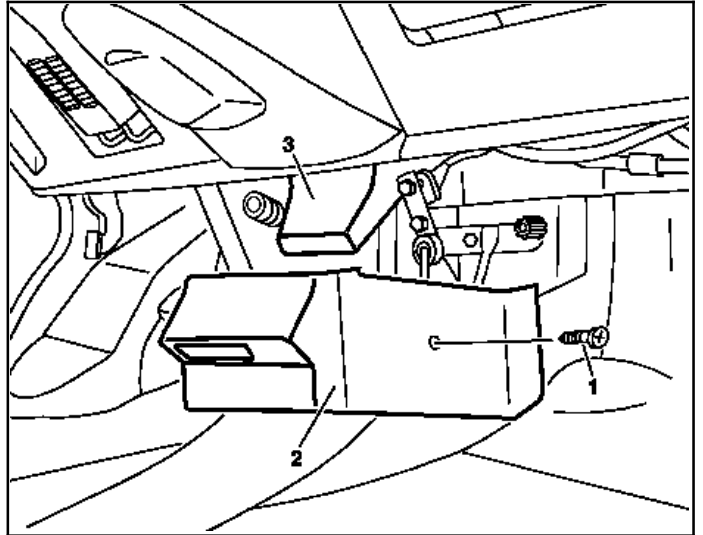


- 1 Remove two screws (1).
- 2 Remove cover (2).
- 3 Remove air duct connector (3).
- 4 Install in opposite order.



S83.10-2501-11

MODEL 638.0## 1#

with CODE (H00) Warm air duct to passenger compartment

with CODE (ZK1) Mixto vehicle

MODEL 638.0## 1#

with CODE (H00) Warm air duct to passenger compartment

with CODE (ZK4) Crewbus I

MODEL 638.0## /1## 1# with CODE (H00) Warm air duct to passenger compartment

1 Bottom clip for cover on instrument panel

2 Right front rail

3 Right entry rail

4 Covering

5 Covering

6 Ring

7 Air duct connector

8 Center console mount

9 Front air duct

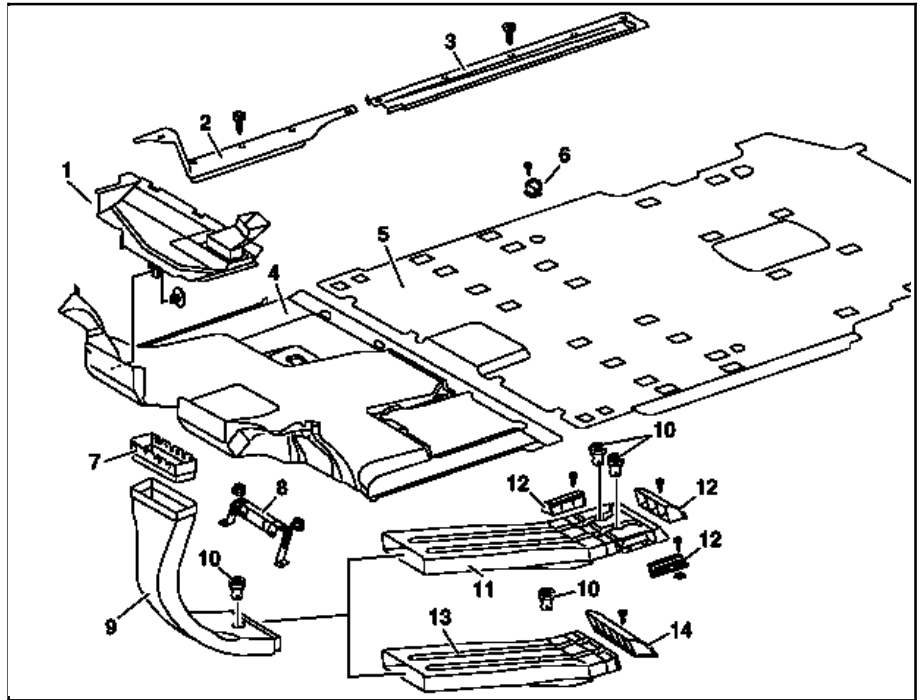
10 Plastic nut

11 Center air duct














12 Heater air deflector

13 Center air duct

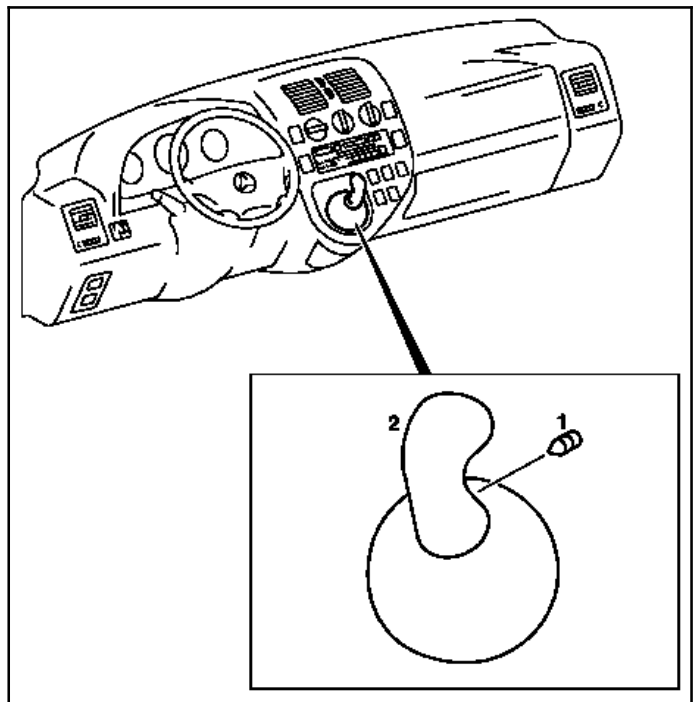
14 Heater air deflector






S83.10-2502-06

 	Removal, installation		
1	Remove right seat together with console		AR91.10-S-3300A
2.1	Remove center console	 Only with code FF6	
2.2	Remove center console	 Only with code FF6	AR68.20-S-2000A
3.1	Remove bottom clip for cover on instrument panel (1)	 If present.	
4.1	Remove right entry rail (3)	 Only on 638.0/1 with code H00	
5	Remove right front rail (2)		
6.1	Remove ring (6)	 Only on 638.0/1 with code H00	
7.1	Remove heater air deflector (12)	 Only on 638.0/1 with code H00	
7.2	Remove heater air deflector (14)	 Only on 638.0 with code H00 and ZK1 or on 638.0 with code H00 and ZK4	
8.1	Lay right front section of rear covering (5) down to side	 Only on 638.0/1 with code H00	
9	Lay right section of front covering (4) down to side		
10.1	Remove mount for center console (8)	 Only with code FF6	
11	Remove plastic nuts (10) on front air duct (9) and middle air duct (11)	 Air ducts (9) and (13) on 638.0 with code H00 and ZK1 or on 638.0 with code H00 and ZK4	
12	Remove front air duct (9) and middle air duct (11)	 Air ducts (9) and (13) on 638.0 with code H00 and ZK1 or on 638.0 with code H00 and ZK4	
13	Remove air duct connector (7)		
14	Install in opposite order		

- 1 Set screw
- 2 Handle



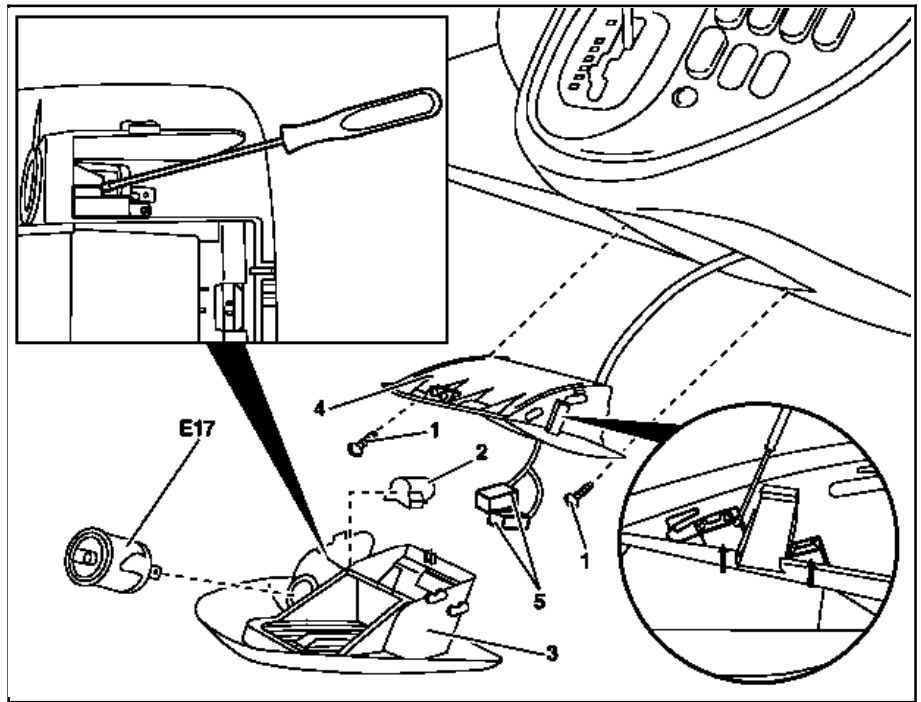
S26.60-3017-12

 	Removing, installing		
1	Loosen fixing bolt (1)		
2	Pull out handle (2)	 Observe installed position of handle (2).	
3	Install in reverse order		

MODEL 638

- 1 Bolt
- 2 Lamp base
- 3 Ashtray bottom section
- 4 Ashtray top section
- 5 Plug-in wiring connection

E17 Cigar lighter



S82.00-2501-06

☒ ☒	Removing, installing		
1	Unscrew screws (1)	⚠ Do not damage center console. ⓘ Screws are only accessible after opening ashtray.	
2	Unclip ashtray at side and pull out upward		
3	Unclip ashtray bottom section (3) from ashtray top section (4)	ⓘ Carefully bend lugs outward at marked point. For this purpose do not open ashtray bottom section completely up to arresting point.	
4	Disconnect electrical connector (5)		
5	Remove lamp base (2)	ⓘ Carefully pry out lamp base (2) by pressing from side.	
6	Remove cigarette lighter (E17)		
7	Install in the reverse order		

MODEL 638.2

MODEL 638

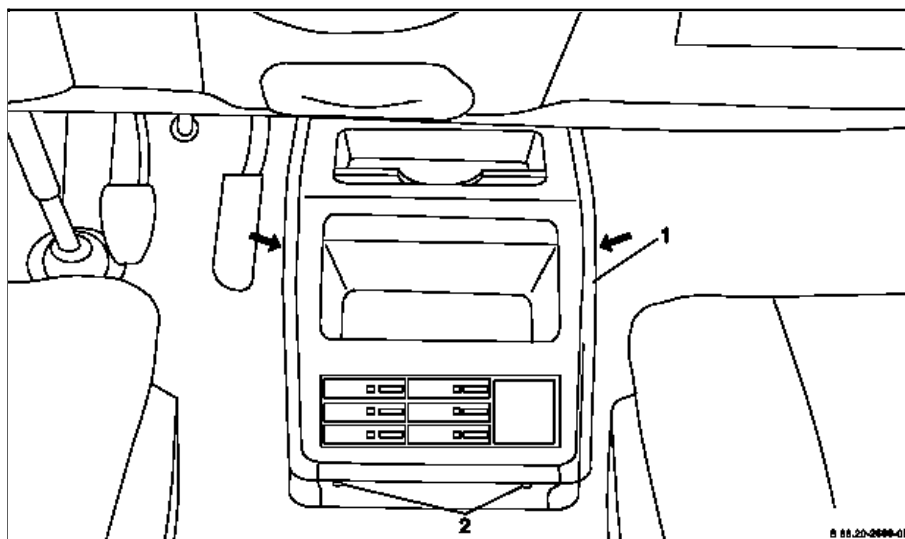
with CODE (FF6) Front section of center console

with CODE (ZK6) Vito F (travel)

with CODE (ZK7) Motor caravan "Marco Polo"

1 Center console

2 Screws



S68.20-2500-05

☒ ☒	Removing and installing		
1	Unscrew screws (2)		
2	Unscrew plastic nut (arrow) on right and left side		
3	Remove center console (1) toward front	<p>⚠ When removing center console (1) ensure that nothing is damaged.</p> <p>ℹ To facilitate removal pull center console (1) apart slightly</p>	
4	Install in the reverse order		

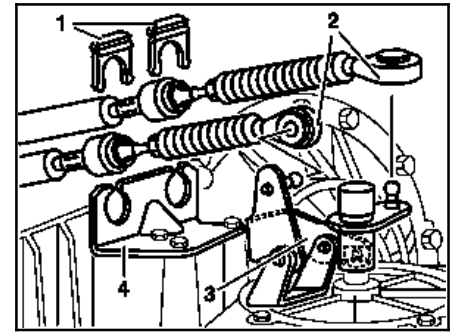
AR26.60-S-6627-01A	Unhooking and hooking on shift control cables on transmission		
--------------------	---	--	--

1 Remove ball sockets (2) of shift cables on transfer lever (3).

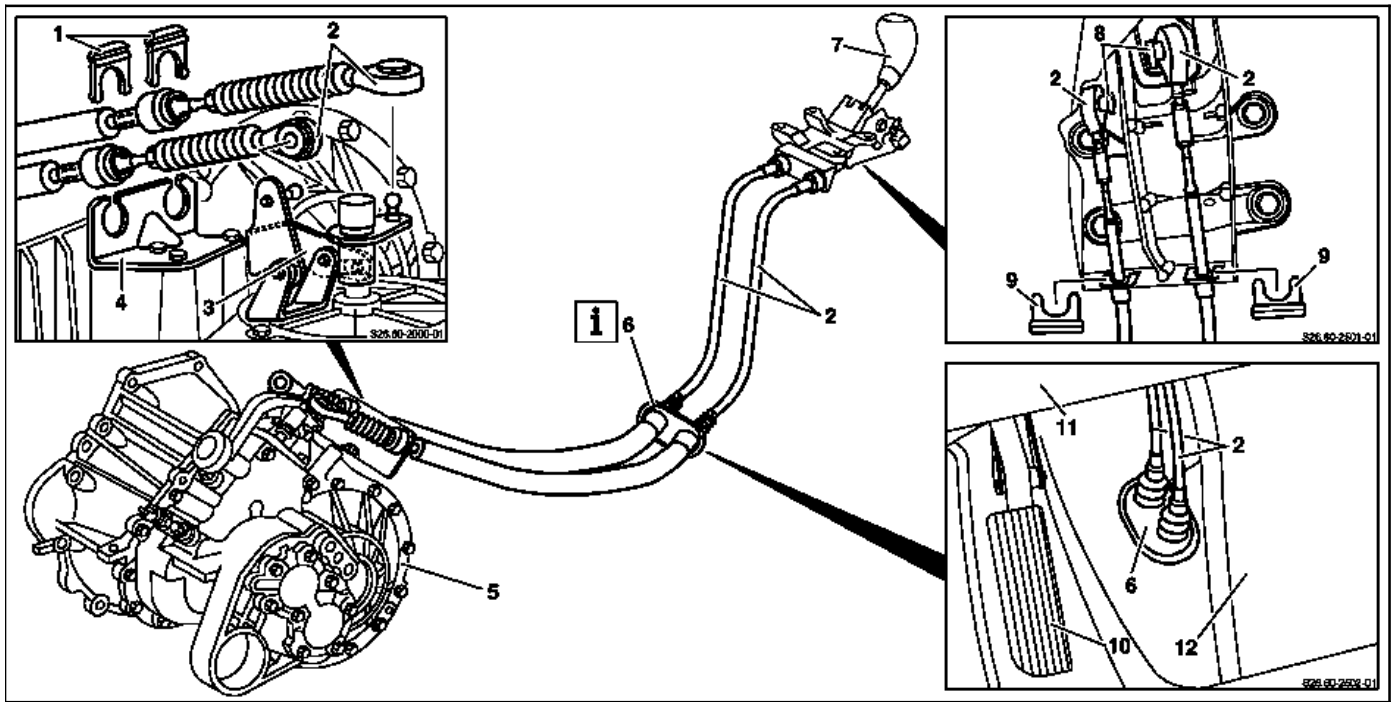
i Do not mix up shift cables.

2 Remove tab washers (1) of shift cables, guide shift cables out of the bracket (4).

i Check condition of tab washers (1) and replace if necessary.



S26.60-2000-01



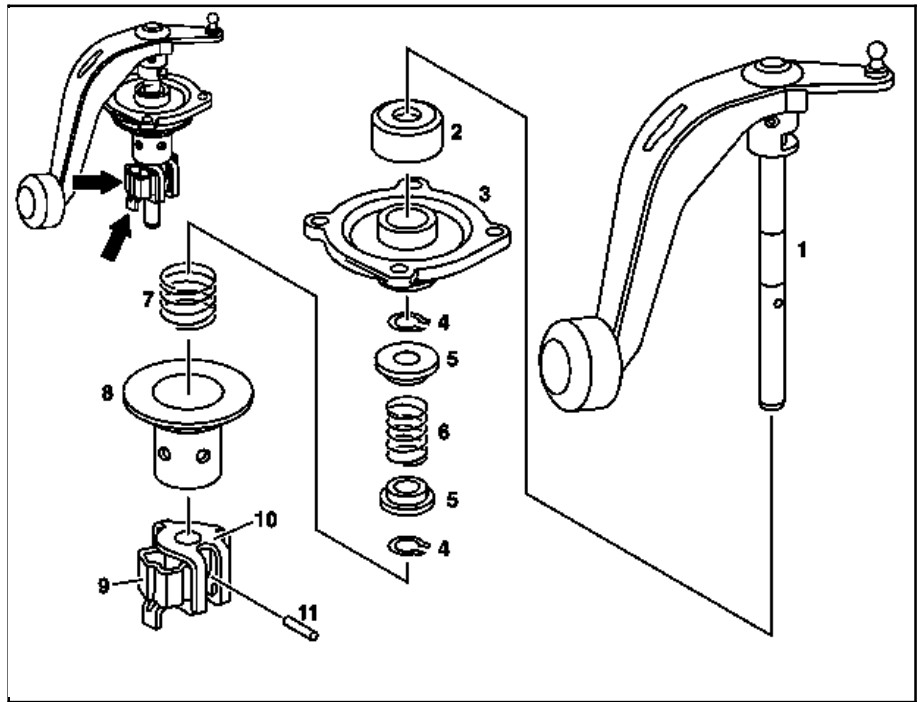
S26.60-2500-09

Illustration shows transmissions
503.018/01/02

- | | | | | | |
|---|----------------|---|----------------|----|-------------------|
| 1 | Tab washers | 5 | Transmission | 9 | Tab washers |
| 2 | Shift cables | 6 | Rubber grommet | 10 | Accelerator pedal |
| 3 | Transfer lever | 7 | Selector lever | 11 | Instrument panel |
| 4 | Bracket | 8 | Transfer lever | 12 | Air duct |

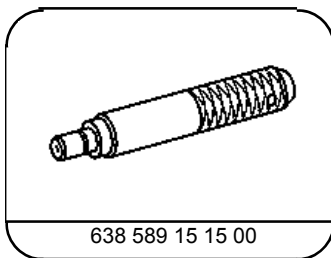
☒ ☒	Removing, installing		
1.1	Remove air duct connector	i Models 638.0/1 without code H00 only (warm air duct to passenger compartment)	AR83.10-S-4500-01A
2	Remove air duct for rear passenger compartment	i Do not remove air duct complete. Refer to ↓ Models 638.0/1 with code H00 (warm air duct to passenger compartment) and left-hand steering Model 638.2 and left-hand steering Models 638.0/1 with code H00 (warm air duct to passenger compartment) and right-hand steering Model 638.2 and right-hand steering	AR83.10-S-4500A AR83.10-S-4500B AR83.10-S-4500C AR83.10-S-4500D
3	Remove ashtray		AR82.00-S-9999A
4	Unhook shift cables (2) from transmission		AR26.60-S-6627-01A
5	Unhook shift cables (2) from transfer lever (8)	i Installation: Check operation of selector lever. Refer to ↓ Adjusting shift cables (2).	AR26.60-S-6420A
6	Remove tab washers (9)	i Installation: Check condition of tab washers (9) and replace if necessary.	
7	Press rubber grommet (6) out of mounting bore	i Installation: Ensure rubber grommet (6) is seated correctly in firewall.	
8	Remove shift cables (2) together with rubber grommet (6) forwards through the firewall in the direction of the engine compartment		
9	Install in reverse order		

- 1 Gear selector shaft (with gear selector lever)
- 2 Dust guard
- 3 Cover
- 4 Safety ring
- 5 Guide rail
- 6 Spring
- 7 Spring
- 8 Guide sleeve
- 9 Shift finger
- 10 Shift lock
- 11 Elastic pin



S26.60-3011-06

☒ ☒	Removing		
1	Remove the gear selector group		AR26.60-S-6500A
☒ ☒	Disassembling, assembling		
2	Knock out the elastic pin (11)	⚠ Install: Replace the elastic pin	
3	Take out the shift finger (9), the shift lock (10), the guide sleeve (8) and the spring (7).	ⓘ Install: The back (arrow) of the shift finger (9) and the longest lug (arrow) of the shift lock (10) must point towards the counterweight of the shift lever	
4	Remove the safety ring (4)	⚠ During removal and installation, pay attention not to overtighten the safety ring (4)	
5	Take out the guide washers (5) and the spring (6)		
6	Remove the safety ring (4) and take out the cover (3)	⚠ During removal and installation, pay attention not to overtighten the safety ring (4)	
7	Remove the radial retainer of the cover (3)	⚠ Install: Replace the radial retainer	AR26.60-S-6520A
8	Remove the upper bearing of the gear selector group	☑ Impact drift	AR26.60-S-6510-01A *638589151500
9	Install in reverse order		



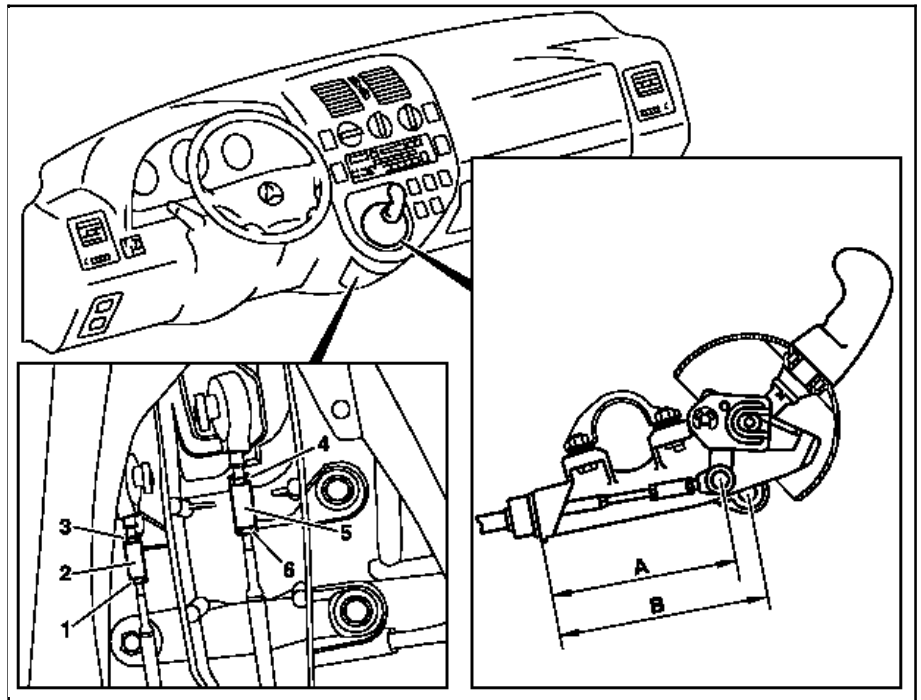
638 589 15 15 00

Drift punch

- 1 Lock nut
- 2 Adjusting nut
- 3 Lock nut
- 4 Lock nut
- 5 Adjusting nut
- 6 Lock nut

A Adjustment dimension for gate shift cable

B Adjustment dimension for gear shift cable



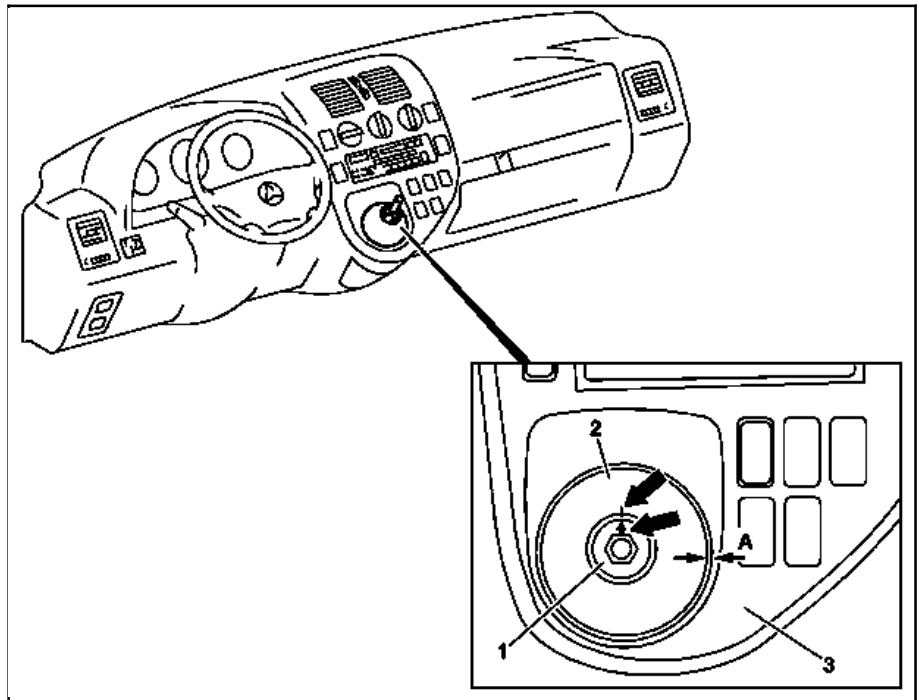
S26.60-3016-06

	Adjusting		
1	Remove ashtray housing		AR82.00-S-9999A
2	Shift transmission to neutral	i The transmission must remain in neutral for the entire duration of the adjustment procedure.	
3	Check and adjust dimension (A)	i To adjust, slacken lock nuts (1, 3) and turn the adjusting nut (2) to set the adjustment dimension (A).	*BE26.60-N-1002-01A
4	Tighten lock nuts (1, 3)	i The shift cable and ball joint must not be twisted.	
5	Check and adjust dimension (B)	i To adjust, slacken lock nuts (4, 6) and turn the adjusting nut (5) to set the adjustment dimension (B).	*BE26.60-N-1003-01A
6	Tighten lock nuts (4, 6)	i The shift cable and ball joint must not be twisted.	
7	Shift through all gears	i If the shift lever knocks against the trim or if the gears cannot be shifted accurately ↓ Repeat steps 2 to 7	
8	Adjust shift mechanism cover		AR26.60-S-6430A
9	Install ashtray housing		AR82.00-S-9999A

Test and adjustment values for shift

Number	Designation	Model 638.014/034/ 064/074/114/134 /164/174 without code G40
BE26.60-N-1002-01A	Adjustment dimension "A" for gate shift cable	mm 146.5-148
		See figure AR26.60-S-6420A
BE26.60-N-1003-01A	Adjustment dimension "B" for gear shift cable	mm 170.5-172
		See figure AR26.60-S-6420A

- 1 Eccentric nut
- 2 Cover
- 3 Dashboard trim
- A Annular gap



S26.60-3015-06

Adjusting			
1	Remove knob on shift lever		AR26.60-S-6601A
2	Align mark (arrow) on cover (2) with mark (arrow) on eccentric nut (1)		
3	Turn eccentric nut (1) with cover (2) down or up until the annular gap (A) is obtained	i The cover (2) must not rest or rub on the dashboard trim (3) when shifting.	
4	Check annular gap (A) between cover (2) and dashboard trim (3) and adjust if necessary	i To adjust, push down cover (2) and twist at the same time, allow cover (2) to lock in place and recheck annular gap (A).	*BE26.60-N-1001-01A
5	Install knob on shift lever		AR26.60-S-6601A

Test and adjustment values for shift

Number	Designation	Model	
		638.014/034/ 064/074/114/134 /164/174 without code G40	
BE26.60-N-1001-01A	Annular gap "A" between shift lever cover and dashboard trim	mm	3
		See figure	AR26.60-S-6430A