

## 2002 Mercedes Benz Truck ML 320 (163.154) V6-3.2L (112.942)

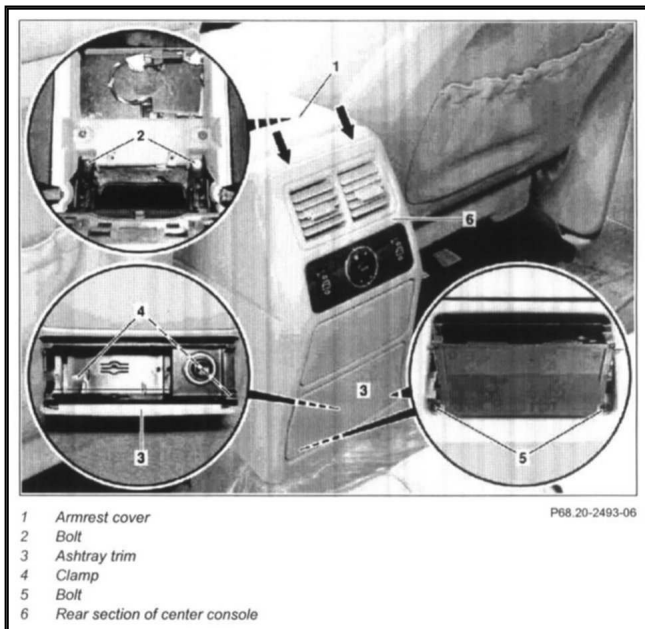
[Vehicle Level](#) → [Body and Frame](#) → [Interior Moulding / Trim](#) → [Console](#) → [Service and Repair](#) → [Removal and Replacement](#) → [AR68.20-P-2020GI Remove/Install Rear Center Console](#) ←

### AR68.20-P-2020GI Remove/Install Rear Center Console

[Notes](#)

### AR68.20-P-2020GI Remove/Install Rear Center Console

- Models 163.154/174 #A as of 289565
- Models 163.157/175 (all)



### Remove/Install

- 1 Remove armrest lid (1)

2 Remove stowage box in the center console

**NOTE:** Press the center pin **approx. 4 mm** downwards, then remove the rivet upwards

3 Remove screws (2) on the cup holder

4 Remove inner part of ashtray

5 Remove ashtray trim (3)

**CAUTION: Risk of breaking the clips (4)**

**NOTE: Loosen clips (4) and pull back the lower edge of the cover and remove upwards**

6 Remove screws (5)

7 Unclip rear center console (6) above (arrows)

• **Long wedge: See Special Tools below.**

8 Remove rear center console (6) from the center console

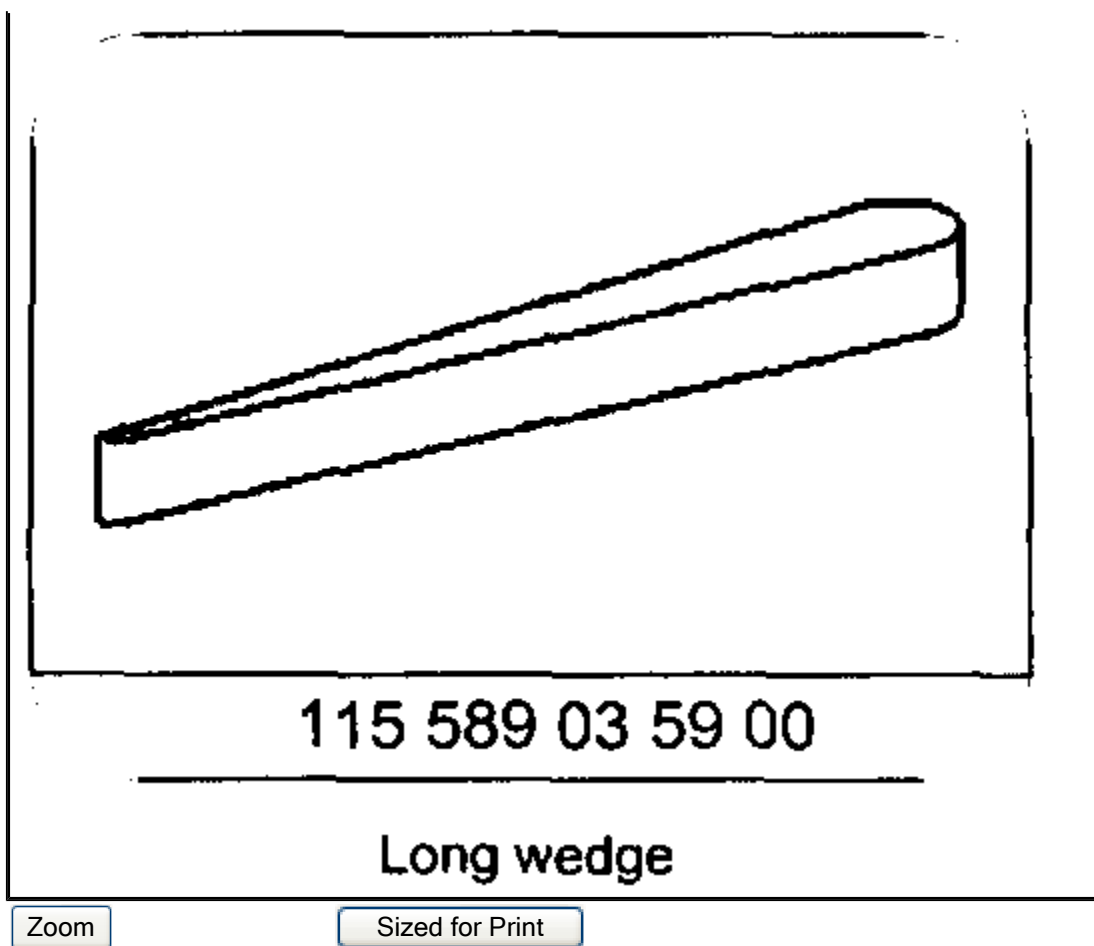
9 Disconnect plug from control module of rear control panel and ashtray

**NOTE: Disconnect plug of the rear ashtray from ashtray housing**

10 Install in the reverse order

### **Special Tools**

Long Wedge P/N # 115 589 03 59 00
-----------------------------------



© 2009 ALLDATA LLC. All rights reserved.

[Terms of Use](#)